

# OMNISOLAR

Serious About Solar



CCT Switchable



Warranty



Interchangeable Components



## Vista-01

Solar Street Light

Introducing Vista: Our most advanced street lighting solution.

Equipped with rain-sensing technology, CCT switchable, and customisable lighting modes. Stay informed with the easy-to-read icon display LED screen and multi-function remote control access. Compatible with standard street light poles for easy installation.



Heated Battery



Weather Proof



Works in Winter



Solar



Eco Friendly

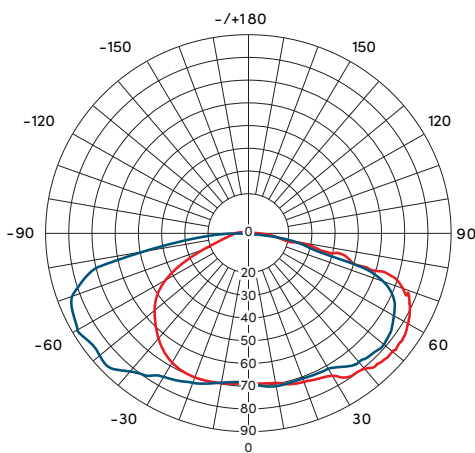


Osram LEDs

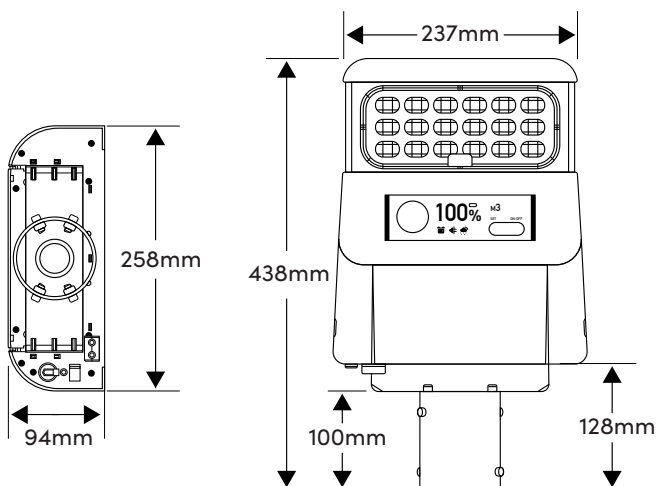
## Benefits

- Rain Sensor - CCT Switchable
- Personalised Lighting Mode
- Multi-Function Remote Control
- LED Screen
- Compatible with standard street light poles
- BS EN 62471:2008 Approved

## Type-4 Lighting Distribution



## Dimensions



## Specifications

Light Brightness	3000 Lumens
Solar Panel Power	Monocrystalline Silicon, 8.8V/10W

## Li-ion battery

Capacity	7.4V, 38.48Wh
Charging/Discharging Temp	-10~55°C/-20~60°C
Charging Time	6.43H
LED (OSRAM)	3030 3000K 18pcs + 5700K 18pcs
Colour Temp	3000K / 5700K, Ra70
Efficiency	230Lm/W

## Performance

Lighting for Rainy Days	>36H
Control Mode	Button ON/OFF
Lighting Mode	M1: 30% (PIR 30S) M2: 30% (PIR 30S) 5H + 20% (PIR 30S) M3: 30% (PIR 30S) 6H + 10% 5H +30% (PIR 30S)
Til Dawn	
PIR	30S - 120°, >8m
Core Technology	ALS2.4
IP/IK Class	IP65 / IK08
Install Height	3.0M
Net Weight	2.25kg
Material	Aluminium+PC

## LED Screen Content

- Battery life is displayed from 0 to 100%
- The low battery will illuminate when battery life drops below 20%
- Lighting Mode
- External solar charging indicator
- Charging adapter
- Back-up battery charging indicator
- PIR ON/OFF status
- Raining sensor display